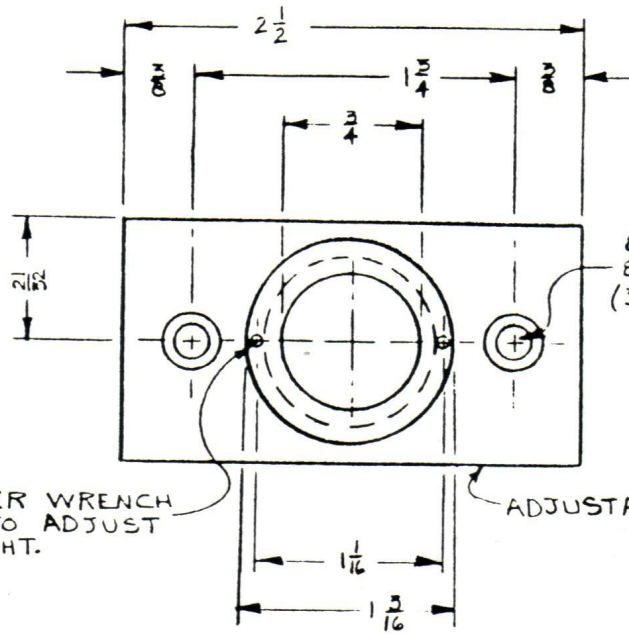


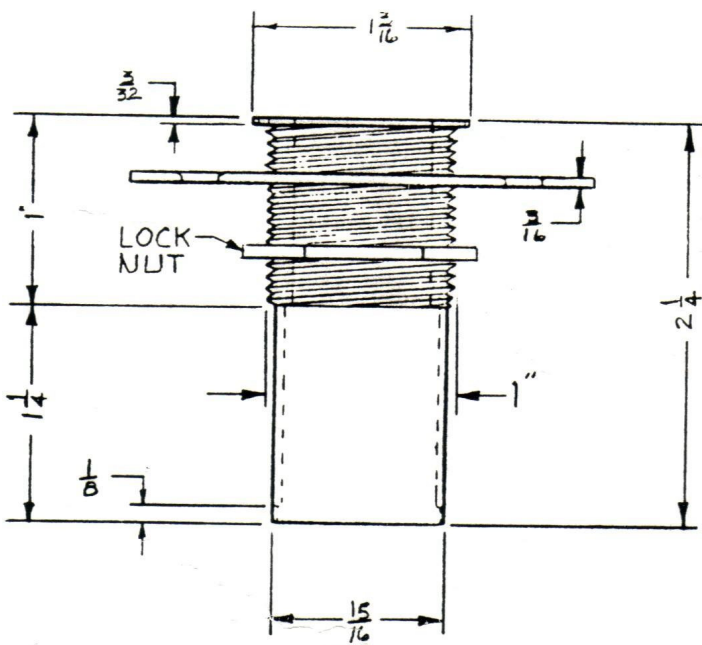
A	REVISED: 4-7-87
B	REVISED: 8-22-95
C	REVISED: 9-16-95 TA. <i>LL</i>



1/16 DIA. SPANNER WRENCH HOLES. USED TO ADJUST DESIRED HEIGHT.

8/32 X 1/2 CHPHMS X 8/32 EXPANSION SHIELD. (3/16 DIA. HOLE C'SANK)

ADJUSTABLE FACE PLATE



001102

DWG. NO. 11562

Trimco
 Triangle Brass Manufacturing Company, Inc.
 3528 Emery Street, P.O. Box 23277
 Los Angeles, CA 90023, USA

3911
 D.P.S. (ADJUSTABLE)
 DR. BY: L.R.

Book No. _____ Date Requested: _____
 This template is provided for use only on the job for which it was requested.
 Trimco reserves the right to make design changes without notice.